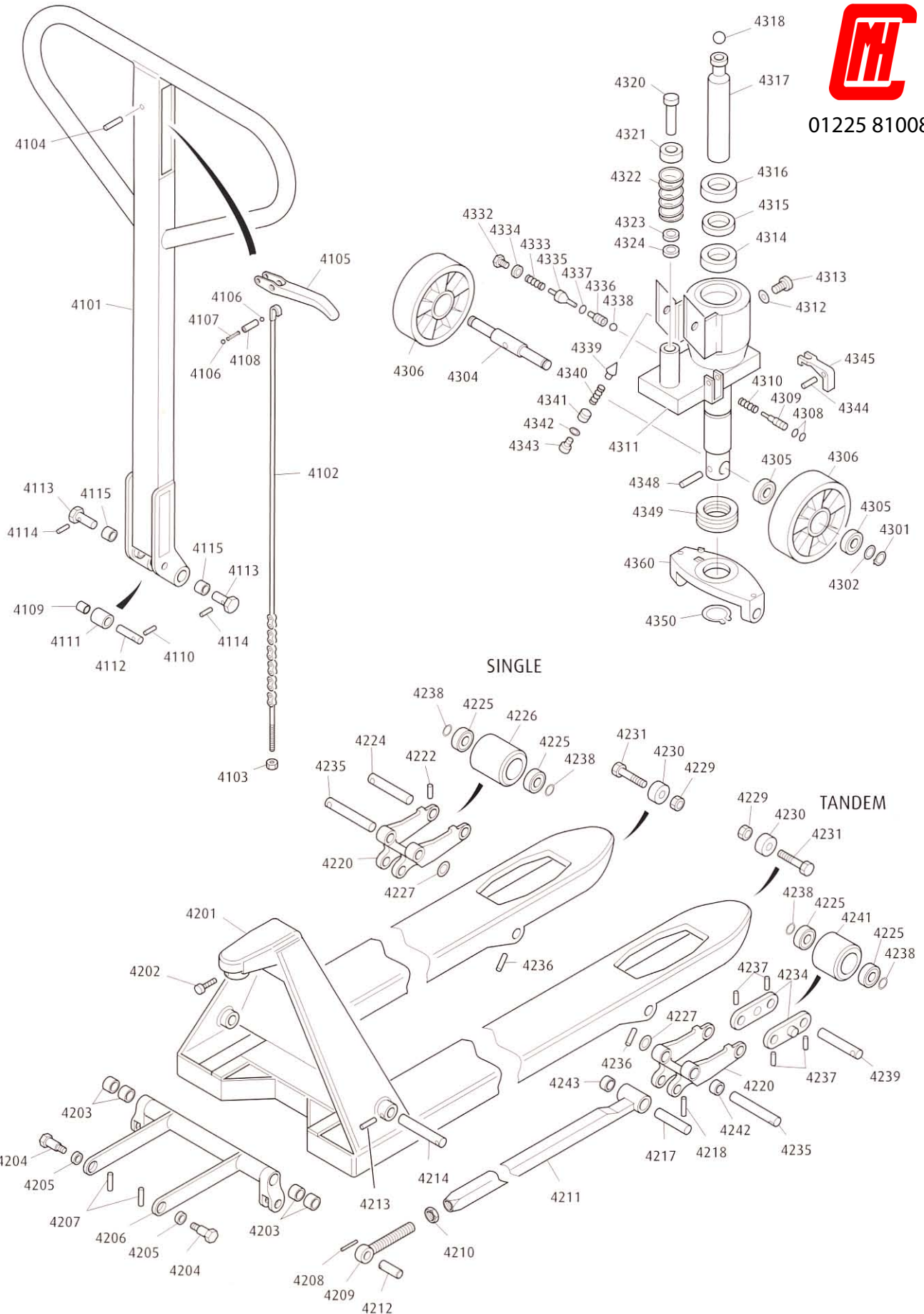




01225 810081



## M 20 SPARE PARTS LIST

Part No.

Description

### Handle Assembly

4100	Handle assembly
4101	Handle body
4102	Rod + chain
4103	Nut
4104	Pin
4105	Trigger
4106	Ball
4107	Spring
4108	Tube
4109	Bush
4110	Pin
4111	Roller
4112	Axle
4113	Axle
4114	Pin
4115	Bush

### Frame Assembly

4201	Fork frame - state size
4202	Bolt
4203	Bush
4204	Shoulder pivot pin
4205	Bush
4206A	Torsion lever for 550 mm
4206B	Torsion lever for 685 mm
4206C	Torsion lever for 450 mm
4207	Pin
4208	Pin
4209	Eye bolt
4210	Nut
4211A	Push rod for 1000 mm
4211B	Push rod for 1150 mm
4211C	Push rod for 1220 mm
4211D	Push rod for 800 mm
4211E	Push rod for 900 mm
4212	Axle
4213	Pin
4214	Axle
4217	Axle
4218	Pin
4220	Wheel bracket
4222	Pin
4224	Axle
4225	Bearing
4226A	Single load wheel - nylon
4226B	Single load wheel - poly
4227	Spacer
4229	Nut
4230	Entry roller
4231	Bolt
4234	Tandem bracket plate

Part No.

Description

4235	Axle
4236	Pin
4237	Pin
4238	Spacer
4239	Axle
4241A	Tandem load wheel - nylon
4241B	Tandem load wheel - poly
4242	Bush
4243	Bush

### Hydraulic Unit Assembly

4300	Hydraulic seal kit
4301	Circlip
4302	Spacer
4304	Steer wheel axle
4305	Bearing
4306A	Steer wheel - nylon
4306B	Steer wheel - polyurethane
4306C	Steer wheel - rubber
4308	O-ring
4309	Valve piston
4310	Spring
4311	Hydraulic unit
4312	Seal
4313	Screw
4314	U-ring
4315	U-ring
4316	Wiper
4317	Lift piston
4318	Steel ball
4320	Pump piston
4321	Piston cap
4322	Spring
4323	Wiper
4324	U-ring
4332	Plug bolt
4333	Spring
4334	Washer
4335	Valve cone
4336	Valve
4337	O-ring
4338	Steel ball
4339	Valve pin
4340	Spring
4341	Screw
4342	O-ring
4343	Plug bolt
4344	Pin
4345	Valve arm
4348	Pin
4349	Thrust bearing
4350	Circlip
4360	Thrust plate