

Model: WA 3000KG

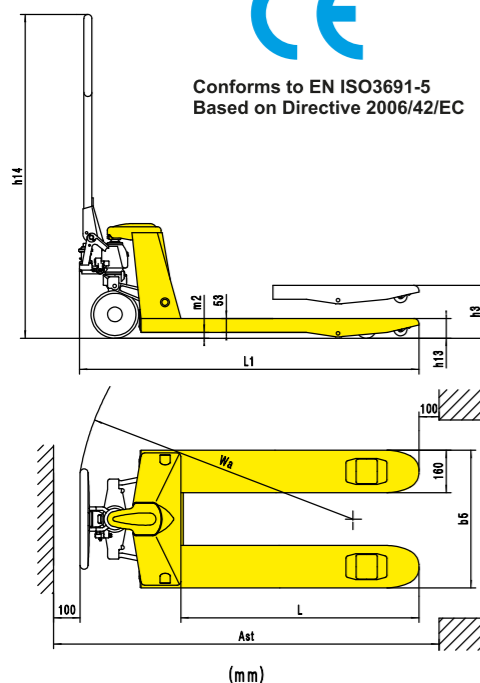
1KG=2.205LB 1INCH=25.40MM

Model	WA	
Capacity	Q(kg)	2000/2500/3000
Lowered fork height	h_0 (mm)	85 75
Steering wheel	mm	ϕ 200 ϕ 180
Fork wheel single	mm	ϕ 80x93 ϕ 74x93
Fork wheel tandem	mm	ϕ 80x70 ϕ 74x70
Max. lift height	h_1 (mm)	200 190
Total height	h_2 (mm)	1232 1222
Overall length	l_1 (mm)	1533/1603 1533/1603
Fork length	l (mm)	1150/1220 1150/1220
Width overall forks	b_1 (mm)	520/550/685 520/550/685
Ground clearance, centre of wheelbase	m_1 (mm)	32 22
Aisle width for pallets 1000x1200 crossways	A_1 (mm)	1733/1803 1733/1803
Aisle width for pallets 800x1200 lengthways	A_2 (mm)	1783/1803 1783/1803
Turning radius	W_1 (mm)	1265/1335 1265/1335
Service weight	kg	55-70 55-70

Excellent



Conforms to EN ISO3691-5
Based on Directive 2006/42/EC



Excellent type pallet truck

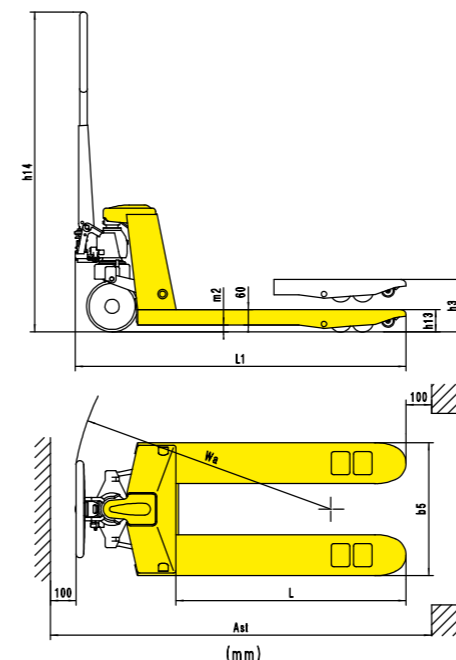
- Standard single speed pump and light service weight, but big load capacity 3000kgs.
- Design on the base of 3 years service time, which can be extended up to 5 years.
- Compact appearance, complete rocker arms, ensure the whole truck averaged pressed.
- Full sealed pump, easy to maintain.
- Simplified spare parts, higher performance with low repair cost.
- Option: 1) Double Speed Pump.
2) Nylon wheel, polyurethane wheel, rubber wheel, single fork roller or tandem fork rollers.
3) Fork length: 800mm, 900mm, 1000mm, 1100mm.

Model: WB 5000KG

1KG=2.205LB 1INCH=25.40MM

Model	WB	
Capacity	Q(kg)	5000 5000
Lowered fork height	h_0 (mm)	88 78
Steering wheel	mm	ϕ 200 ϕ 180
Fork wheel single	mm	~ ~
Fork wheel tandem	mm	ϕ 85x80 ϕ 75x80
Max. lift height	h_1 (mm)	205 195
Total height	h_2 (mm)	1253 1243
Overall length	l_1 (mm)	1544/1614 1544/1614
Fork length	l (mm)	1150/1220 1150/1220
Width overall forks	b_1 (mm)	550/685 550/685
Ground clearance, centre of wheelbase	m_1 (mm)	28 18
Aisle width for pallets 1000x1200 crossways	A_1 (mm)	1744/1814 1744/1814
Aisle width for pallets 800x1200 lengthways	A_2 (mm)	1794/1814 1794/1814
Turning radius	W_1 (mm)	1300/1370 1300/1370
Service weight	kg	103-110 103-110

Heavy Duty



Heavy duty type pallet truck

- High reliability and long service life of 5 years.
- Double lifting speed when loads under 600kg, which turns back to regular speed when above it.
- Impact free lifting ensures safety of cargo loading.
- The lifting system is equipped with overloading protection valve to ensure the safe operation.
- The utilized structural design guarantees the convenience of assembling and disassembling.
- Light-weight fork frame, made from high rigidity steel plate.
- Compact appearance, complete rocker arm, ensure the whole truck evenly pressed.
- There is a finger hole in the connection of handle and pump, easy to assemble.