

Multi-function Hand Pallet Truck



Model: BFAQ

Quick Lift Pallet Truck

- The quick lift pallet truck is an ideal truck for light load handling.
- Whenever lifting loads under 300kg, it takes just 5 strokes to reach max. height.
- For loads above 300 kg, the quick lift hydraulic system automatically switches to normal operation.



Model: BFB

Pallet Truck With Brake System

- Pallet truck with brake system can conveniently cease the truck and navigate ramps.



Model: BFT

Traverse Pallet Truck (4-way)

- Designed for moving long loads down narrow aisles.
- Traverse movement effects when the fork height up to 180mm, and turn the handle by an angle of 90 degrees.
- Traverse movement provides more flexibility and convenience of applications as condition changes.
- Load capacity: 2500kg (1500kg traverse traveling).

1KG=2.205LB 1INCH=25.40MM

Model		BFAQ	BFB	BFT
Capacity	Q(kg)	2500	2500	2500 (1500 traverse)
Lowered fork height	h_3 (mm)	85/75	85/75	85/75
Steering wheel	mm	φ 200/ φ 180	φ 200/ φ 180	φ 200/ φ 180
Fork wheel single	mm	φ 80x93/ φ 74x93	φ 80x93/ φ 74x93	φ 80x70/ φ 74x70 (fork wheel)
Fork wheel tandem	mm	φ 80x70/ φ 74x70	φ 80x70/ φ 74x70	φ 65x60 (traverse wheel)
Max. lift height	h_5 (mm)	200/190	200/190	200/190
Total height	h_4 (mm)	1224/1214	1224/1214	1224/1214
Overall length	l_1 (mm)	1533/1603	1533/1603	1533/1603
Fork length	l (mm)	1150/1220	1150/1220	1150/1220
Width overall forks	b_5 (mm)	520/550/685	520/550/685	520/550/685
Ground clearance, centre of wheelbase	m_1 (mm)	40/30	40/30	40/30
Aisle width for pallets 1000x1200 crossways	A_w (mm)	1733/1803	1733/1803	1733/1803
Aisle width for pallets 800x1200 lengthways	A_L (mm)	1783/1803	1783/1803	1783/1803
Turning radius	W_r (mm)	1266/1336	1266/1336	1266/1336
Service weight	kg	65-85	65-85	65-85



Model: BFL

Low-profile Pallet Truck

- 1.5T Cap. lowered fork height - 52mm.
- 1T Cap. lowered fork height - 35mm.
- Steel fork rollers.



Model: BFH

High-profile Pallet Truck



Model: BFS

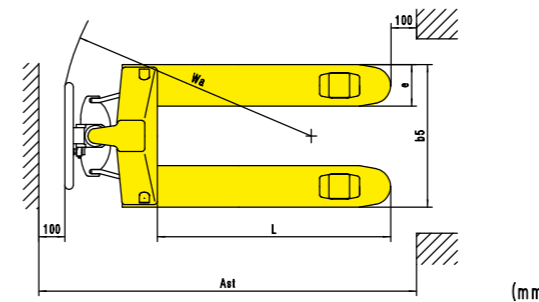
Stainless Steel Pallet Truck

- Widely used in carrying meat, marine products, wines, beverage, chemicals, etc. and can work in very low temperature conditions, e.g. to deliver goods into and out of freezers/coolers.

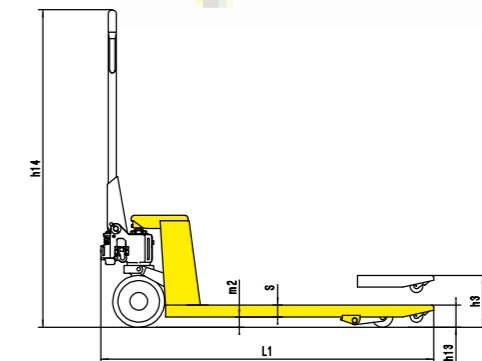


Model: BFG

Galvanized Pallet Truck



(mm)



1KG=2.205LB 1INCH=25.40MM

Model		BFL10	BFL15	BFH	BFS	BFG
Capacity	Q(kg)	1000	1500	2000	2500	2500
Lowered fork height	h_3 (mm)	35	52	140	85/75	85/75
Steering wheel	mm	φ 150	φ 150	φ 180	φ 200/ φ 180	φ 200/ φ 180
Fork wheel single	mm	~	φ 50x93	φ 126x68	φ 74x93	φ 80x93/ φ 74x93
Fork wheel tandem	mm	φ 35x60	φ 50x70	~	φ 74x70	φ 80x70/ φ 74x70
Max. lift height	h_5 (mm)	105	140	255	200/190	200/190
Total height	h_4 (mm)	1174	1189	1279	1224/1214	1224/1214
Overall length	l_1 (mm)	1533/1603	1547/1617	1533/1603	1533/1603	1533/1603
Fork dimensions	s/e/l	28/150/1150(1220)	38/150/1150(1220)	45/160/1150(1220)	45/160/1150(1220)	45/160/1150(1220)
Width overall forks	b_5 (mm)	520/550/685	520/550/685	520/550/685	520/550/685	520/550/685
Ground clearance, centre of wheelbase	m_1 (mm)	7	14	95	40/30	40/30
Aisle width for pallets 1000x1200 crossways	A_w (mm)	1733/1803	1747/1817	1733/1803	1733/1803	1733/1803
Aisle width for pallets 800x1200 lengthways	A_L (mm)	1783/1803	1797/1817	1783/1803	1783/1803	1783/1803
Turning radius	W_r (mm)	1266/1336	1286/1356	1266/1336	1266/1336	1266/1336
Service weight	kg	65-80	65-80	70-80	76-88	65-80