



Model: **BFC6**
BFC6-II
(Scale pallet truck with printer)

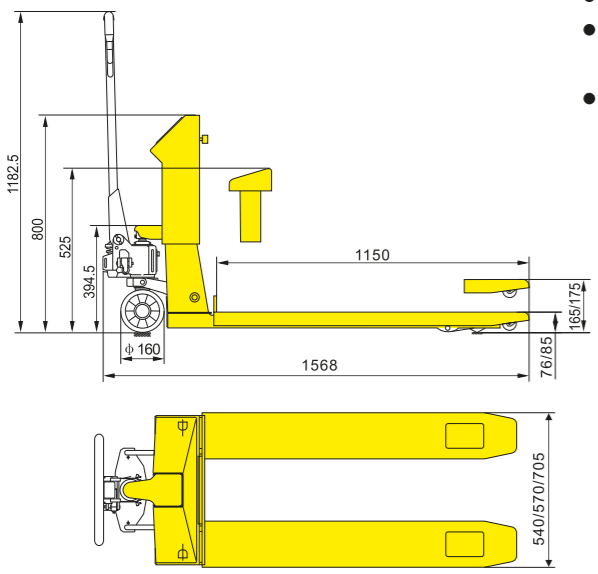
Model: **BFC6-7**
BFC6-8
(Scale pallet truck with printer)



Premium



Conforms to EN ISO3691-5
Based on Directive 2006/42/EC



- Mobile pallet truck with scale combined two major functions for pallet truck/scale, allows you to weigh cargo whatever, wherever, whenever you want.
- Power supply with rechargeable battery or with 86~264V AC input .
- Keypad and automatic tare functions.
- 1.2inches, super-large and bright LED display in solid state to be strike-free.
- Available in pounds or kilograms.
- A/D velocity: 27/s, a faster speed of weighing, more correct.
- Various functions: with extended functions as weight-checking ,counting, etc., to satisfy different needs of customers.
- Conforms to EU's ROHS standard.

1KG=2.205LB 1INCH=25.40MM

| Model | BFC6/BFC6-II | BFC6-7/BFC6-8 |
|------------------------|---------------------------------------|-------------------|
| Capacity | (kg) 2000 | 2000 |
| Lowered fork height | (mm) 76/85 | 76/85 |
| Total lift height | (mm) 165/175 | 165/175 |
| Fork length | (mm) 1150 | 1150 |
| Width overall forks | (mm) 540/570/705 | 540/570/705 |
| Steering wheel | (mm) φ 160 | φ 160 |
| Fork wheel | (mm) φ 70 | φ 70 |
| Power | Dry cell / Ni MH rechargeable battery | Lead-acid battery |
| Max deviation (weight) | (kg) 0.5 | 0.5 |
| Max. deviation (rate) | (%) ±0.1% | ±0.1% |
| Service weight | (kg) 133-142 | 133-142 |

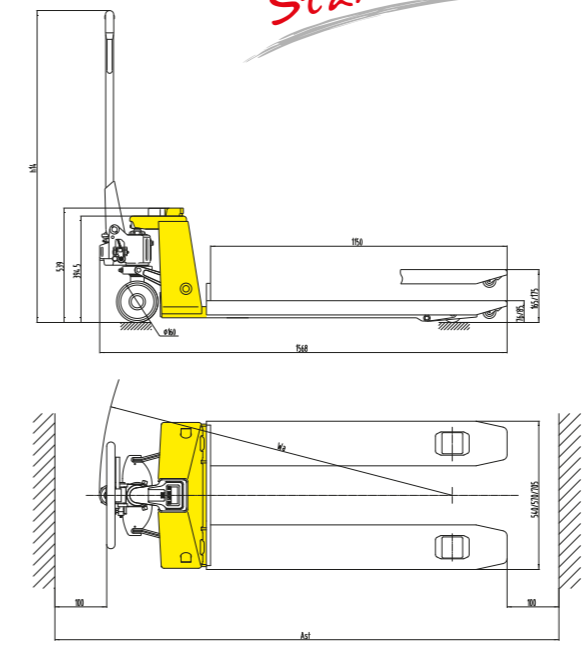
Model: BFC6-7M

Advantages:

- The display appearance with simple design, concise and clear.
- 60mm super large 5- digit LCD display screen , word height 20mm.
- Digital filtering is used to compensate for vibration and improve the scale accuracy, Maximum error 0.05%, weighing accuracy 0.5kg, max to 0.2kg.
- 4 function button, very easy and convenience to operation.
- Powered by 3 units AA battery, easy change, durable and long lasting, Battery life 600 hours in standby mode.



Standard



- Display have backlight, will light up automatically when weight have changes, very convenience for operator reading. Also the backlight will turn off while the weight stable, save power.
- The back of the instrument adopts totally enclosed design, glue all the outside line, which improve instrument protection grade.
- The front of display with U protective shield, prevent instrument damaged during operation.

1KG=2.205LB 1INCH=25.40MM

| Model | BFC6-7M | |
|------------------------|---------|-------------|
| Capacity | kg | 2000 |
| Lowest fork height | mm | 76/85 |
| Max Lifting Height | mm | 165/175 |
| Fork length | mm | 1150 |
| Width overall forks | mm | 540/570/705 |
| Steering wheel | mm | Φ160 |
| Fork wheel | mm | Φ70 |
| Battery | | dry battery |
| Max deviation (weight) | kg | 0.5 |
| Max deviation (rate) | % | ±0.05% |
| Turning Radius | mm | 1368 |
| Service weight | kg | 118-130 |

Electric Pallet Truck
Electric Stackler
Order Picker
Narrow Aisle Truck
Electric Tow Tractor
Hand Pallet Truck
Manual Stackler
Lift Table